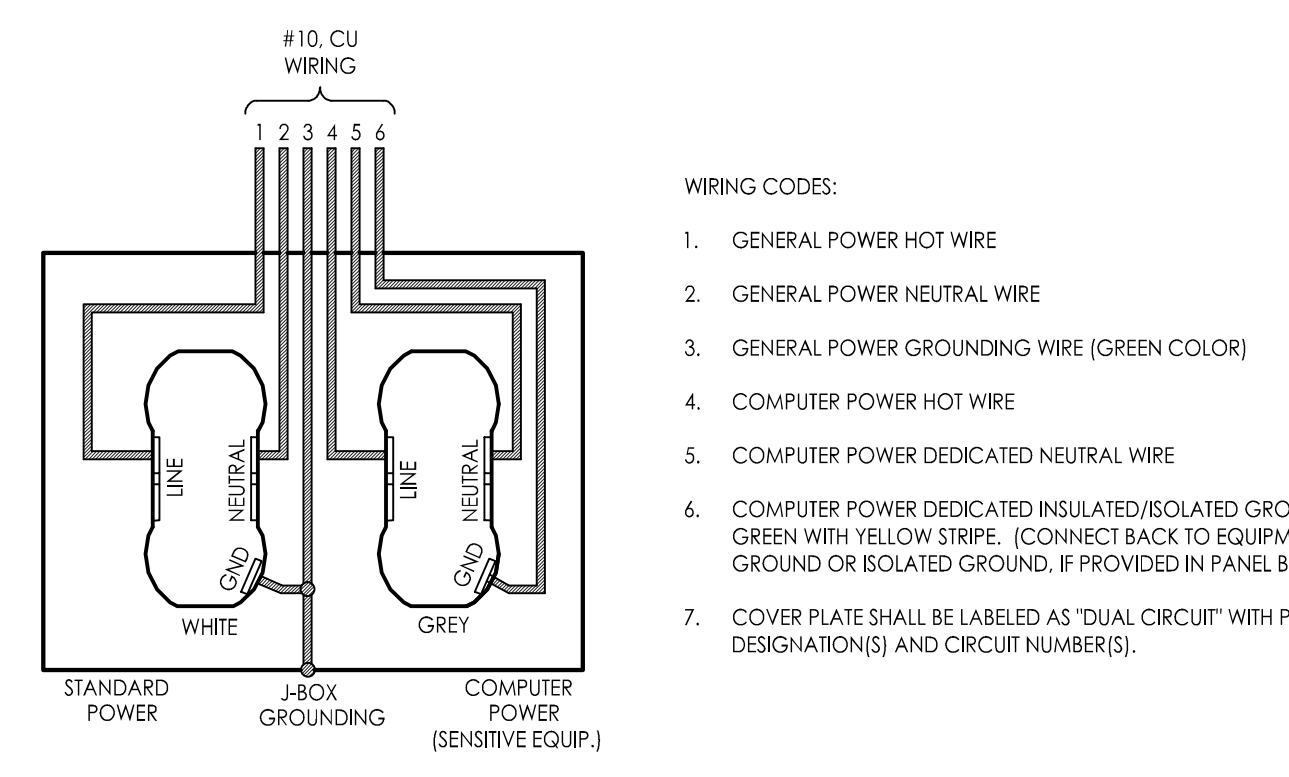
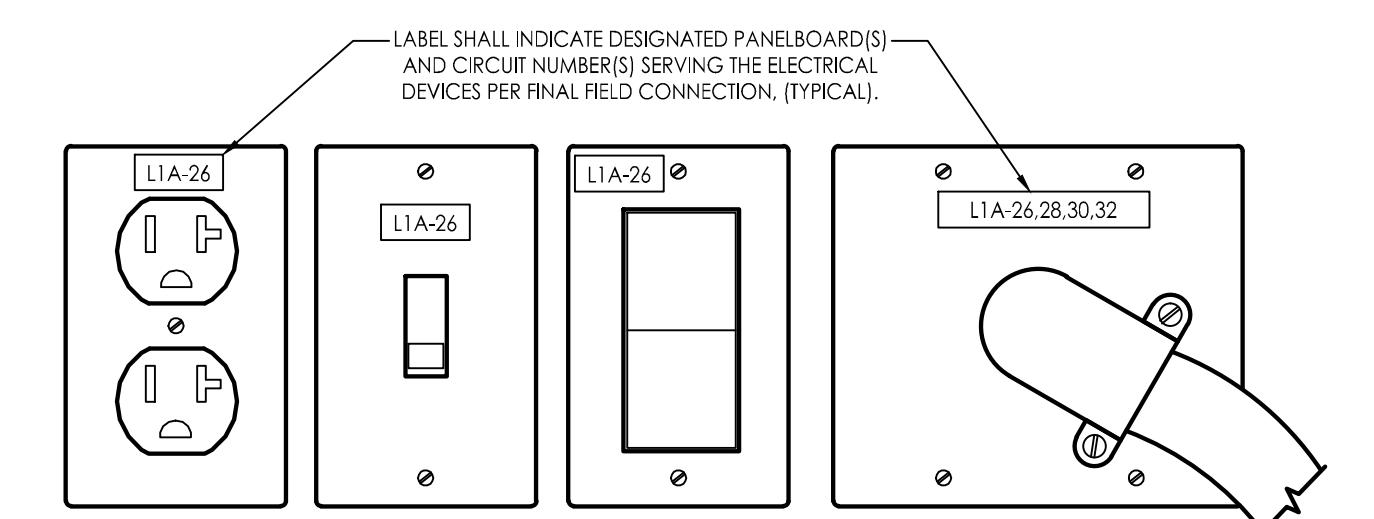


1 DUAL-CIRCUIT QUADPLEX RECEPTACLE DETAIL
SCALE: NO SCALE

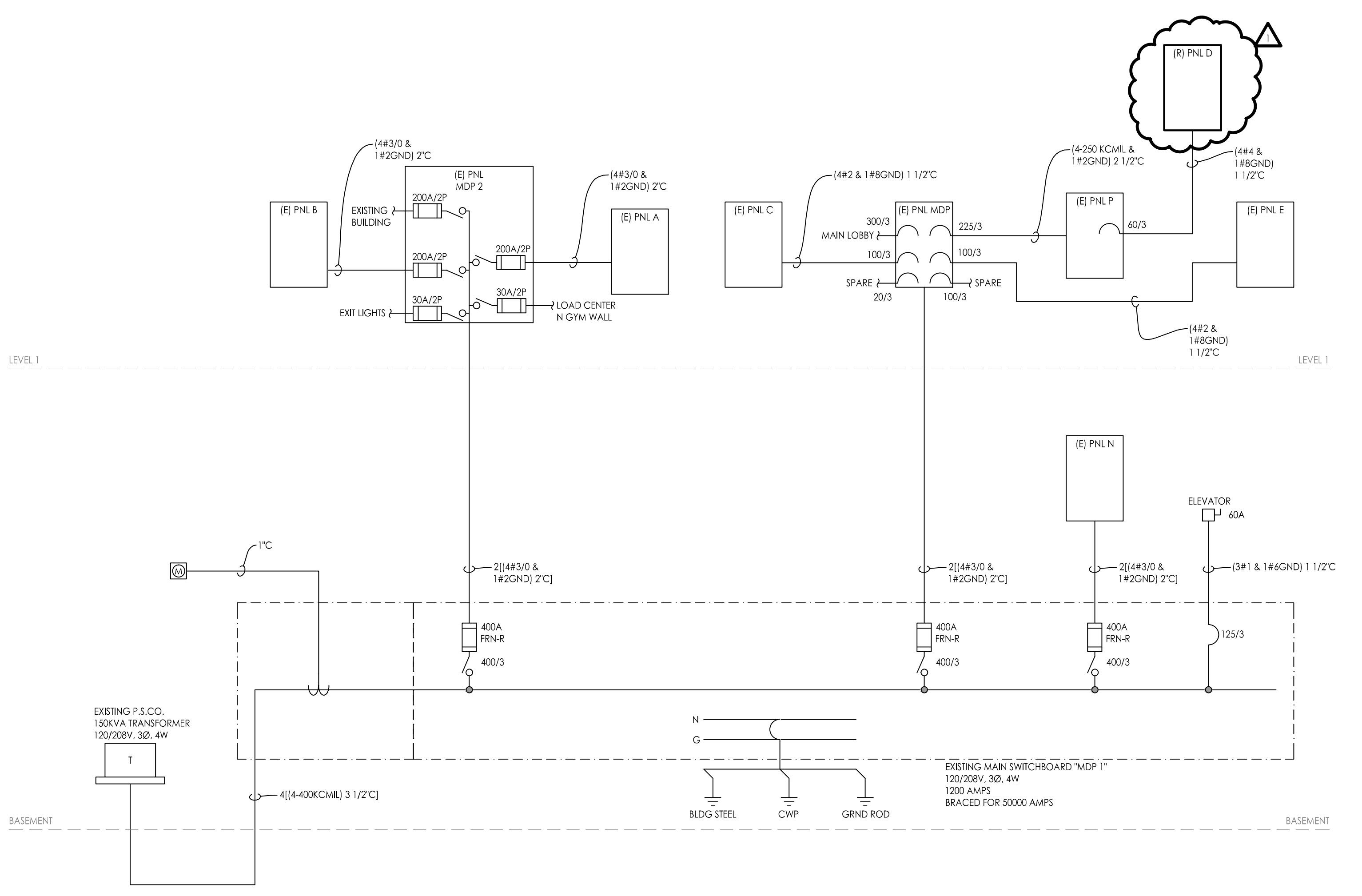


3 DUAL-CIRCUITS QUAD-PLEX RECEPTACLE WIRING DIAGRAM
SCALE: NO SCALE



2 TYPICAL DEVICE COVERPLATE IDENTIFICATION
SCALE: NO SCALE

- NOTES:
- DYMO LABEL SHALL INDICATE DESIGNATED PANELBOARD PER FINAL FIELD CONNECTION AS WELL AS BRANCH CIRCUIT CONNECTED TO THE DEVICE. EXAMPLE: "11A-26", "11A" INDICATES PANELBOARD AND "26" INDICATES CIRCUIT NUMBER.
 - LABELS SHALL BE SELF-ADHESIVE TYPE, DYMO LABELS OR APPROVED EQUAL WITH MINIMUM 1/8" HEIGHT LETTERS.
 - VERIFY WITH BUILDING ENGINEER WHICH OF THE ABOVE PRACTICES IS ACCEPTABLE.
 - PROVIDE BUILDING STANDARD DEVICES UNLESS OTHERWISE DIRECTED BY ARCHITECT. DEVICES ARE SHOWN AS EXAMPLES ONLY.



1 PARTIAL ELECTRICAL ONE-LINE DIAGRAM
SCALE: NO SCALE
NOTE: ALL ELECTRICAL EQUIPMENT SHOWN ON ONE-LINE DIAGRAM IS EXISTING. PANEL 'D' IS BEING RELOCATED FROM A WALL BEING REMOVED.

ELECTRICAL LEGEND

NOT ALL SYMBOLS ARE NECESSARILY USED ON THESE DRAWINGS

ABBREVIATIONS		LIGHTING		POWER	
SYMBOL	DESCRIPTION	SYMBOL	DESCRIPTION	SYMBOL	DESCRIPTION
AC	ABOVE COUNTER	☐	SHADED LIGHT FIXTURES INDICATE LAMP(S) CONNECTED TO EMERGENCY CIRCUIT. SEE DRAWING NOTES.	⊕	WALL MOUNTED SINGLE RECEPTACLE
ADA	AMERICANS WITH DISABILITIES ACT	☐	RECESSED 2x4 FLUORESCENT LIGHT FIXTURE	⊕ ⊕ ⊕	GROUNDING DUPLEX RECEPTACLE: WALL / CEILING / FLOOR
AFF	ABOVE FINISHED FLOOR	☐	RECESSED 2x2 FLUORESCENT LIGHT FIXTURE	⊕ ⊕ ⊕ ⊕	GROUNDING FOURPLEX RECEPTACLE: WALL / CEILING / FLOOR
AFG	ABOVE FINISHED GRADE	☐	RECESSED 1x4 FLUORESCENT LIGHT FIXTURE	⊕ ⊕ ⊕ ⊕ ⊕	SPECIAL PURPOSE OUTLET: WALL / CEILING / FLOOR
AFI	ARC-FAULT CIRCUIT INTERRUPTER	☐	SURFACE MOUNTED 2x4 FLUORESCENT LIGHT FIXTURE	⊕ ⊕ ⊕ ⊕ ⊕ ⊕	DEDICATED, 20A GROUNDING RECEPTACLE: WALL DUPLEX / WALL FOURPLEX
BC	BLANK COVER PLATE	☐	SURFACE MOUNTED 2x2 FLUORESCENT LIGHT FIXTURE	⊕ ⊕ ⊕ ⊕ ⊕ ⊕ ⊕	GROUNDING BAR
[E], E	EXISTING	☐	SURFACE MOUNTED 1x4 FLUORESCENT LIGHT FIXTURE	⊕	FLOOR CORE DRILL
EC	ELECTRICAL CONTRACTOR	☐	FLUORESCENT STRIP LIGHT	⊕ ⊕	CORE DRILL WITH FIRE RATED FLOOR FLOOR-THRU AND DEVICES AS INDICATED
EPO	EMERGENCY POWER OFF	☐	DOWNLIGHT	⊕ ⊕ ⊕	ABANDONED CORE DRILL WITH FIRE RATED PUG AND APPROPRIATE LIGHT ANCHORMENT LET
GC	GENERAL CONTRACTOR	☐	DIRECTIONAL WALL WASHER/ AMBABLE DOWNLIGHT	⊕ ⊕ ⊕ ⊕	POWER POLE
GR	GROUND FAULT CIRCUIT INTERRUPTER	☐	WALL SCONCE	⊕ ⊕ ⊕ ⊕ ⊕	SURFACE MOUNTED MULTI OUTLET ASSEMBLY (WIREMOLD)
HP	HORSEPOWER	☐	TRACK LIGHT	⊕ ⊕ ⊕ ⊕ ⊕ ⊕	JUNCTION BOX: WALL / CEILING / FLOOR
MC	MECHANICAL CONTRACTOR	☐	EXIT SIGN WITH FACING AND DIRECTIONAL ARROWS - WALL / CEILING	⊕ ⊕ ⊕ ⊕ ⊕ ⊕ ⊕	NEW ELECTRICAL PANEL: SURFACE MOUNT / RECESS MOUNT
[N], N	NEW	☐	EMERGENCY LIGHTING FIXTURE	⊕ ⊕ ⊕ ⊕ ⊕ ⊕ ⊕ ⊕	EXISTING ELECTRICAL PANEL: SURFACE MOUNT / RECESS MOUNT
NIC	NOT IN CONTRACT	☐		⊕ ⊕ ⊕ ⊕ ⊕ ⊕ ⊕ ⊕ ⊕	CONTROL PANEL TYPE AS INDICATED ON FLAG NEW FLOOR / EXISTING RECESS MOUNT
[R], R	RELOCATED	☐		⊕ ⊕ ⊕ ⊕ ⊕ ⊕ ⊕ ⊕ ⊕ ⊕	SINGLE PUSH BUTTON
TBD	TO BE DETERMINED	☐		⊕ ⊕ ⊕ ⊕ ⊕ ⊕ ⊕ ⊕ ⊕ ⊕ ⊕	EMERGENCY POWER OFF BUTTON
TYP	TYPICAL	☐		⊕ ⊕ ⊕ ⊕ ⊕ ⊕ ⊕ ⊕ ⊕ ⊕ ⊕ ⊕	NON-FUSED DISCONNECT SWITCH
UG	UNDERGROUND	☐		⊕ ⊕ ⊕ ⊕ ⊕ ⊕ ⊕ ⊕ ⊕ ⊕ ⊕ ⊕ ⊕	FUSED DISCONNECT SWITCH
UF	UNDER FLOOR	☐		⊕ ⊕ ⊕ ⊕ ⊕ ⊕ ⊕ ⊕ ⊕ ⊕ ⊕ ⊕ ⊕ ⊕	STARTER
UNO	UNLESS NOTED OTHERWISE	☐		⊕ ⊕ ⊕ ⊕ ⊕ ⊕ ⊕ ⊕ ⊕ ⊕ ⊕ ⊕ ⊕ ⊕ ⊕	COMBINATION STARTER/DISCONNECT
WP	WEATHERPROOF	☐		⊕ ⊕ ⊕ ⊕ ⊕ ⊕ ⊕ ⊕ ⊕ ⊕ ⊕ ⊕ ⊕ ⊕ ⊕ ⊕	MOTOR

CIRCUITRY		SWITCHING	
SYMBOL	DESCRIPTION	SYMBOL	DESCRIPTION
☐	NEW OR RELOCATED CIRCUIT RUN CONCEALED IN WALL OR CEILING	S	BUILDING STANDARD SWITCH, 120V OR 277V AS REQUIRED. WHEN INDICATED, SUBSCRIPT LETTER ADJACENT TO SWITCH INDICATES CONTROL OF FIXTURES WITH MATCHING SUBSCRIPT LETTER.
☐	CIRCUIT RUN, EXISTING TO REMAIN	S ²	TWO-POLE WALL SWITCH
☐	CIRCUIT RUN, EXISTING TO BE REMOVED	S	DIMMER SWITCH
☐	CIRCUIT RUN TURNED UP	S ³	THREE (3)-WAY WALL SWITCH
☐	CIRCUIT RUN TURNED DOWN	S ⁴	FOUR (4)-WAY WALL SWITCH
☐	UNDER FLOOR CIRCUIT	S ^K	KEY SWITCH
☐	UNDER GROUND CIRCUIT	S ^S	GANGED SWITCHES
☐	CONDUIT CAP	S ^{S3}	GANGED THREE-WAY SWITCHES
☐	HOMERUN TO PANEL	S ^{TD}	THERMAL OVERLOAD MOTOR SWITCH

GENERAL		FIRE ALARM	
SYMBOL	DESCRIPTION	SYMBOL	DESCRIPTION
☐	DETAIL NOTE SYMBOL	☐	SMOKE DETECTOR
☐	FEEDER TAG	☐	THERMAL DETECTOR
☐	RELOCATE EQUIPMENT, DEVICE	☐	DUCT DETECTOR
☐	HEAVY (LINEWEIGHT) ITEMS INDICATE NEW WORK TO BE DONE	☐	MANUAL PULL STATION
☐	LIGHT (LINEWEIGHT) ITEMS INDICATE EXISTING TO REMAIN	☐	FIREMAN'S PHONE JACK
☐	DASHED (LINEWEIGHT) ITEMS INDICATE EXISTING TO BE REMOVED	☐	FIRE ALARM HORN

COMMUNICATION		ONE - LINE	
SYMBOL	DESCRIPTION	SYMBOL	DESCRIPTION
☐	COMBINATION PHONE/DATA OUTLET: WALL / CEILING / FLOOR	☐	GROUND CONNECTION
☐	DATA OUTLET: WALL / CEILING / FLOOR	☐	SERVICE HEAD
☐	TELEPHONE OUTLET: WALL / CEILING / FLOOR	☐	METER
☐	TELEPHONE BOARD 4 FEET & 8 FEET	☐	MOTOR
☐	COAXIAL CABLE TV OUTLET	☐	GENERATOR
		☐	TRANSFORMER
		☐	PAD MOUNTED TRANSFORMER
		☐	ELECTRICAL PANEL
		☐	AUTOMATIC TRANSFER SWITCH
		☐	MANUAL TRIP SWITCH
		☐	CIRCUIT BREAKER
		☐	FUSED SWITCH

SECURITY	
SYMBOL	DESCRIPTION
☐	CARD READER
☐	SECURITY CAMERA

FURNITURE FEED	
SYMBOL	DESCRIPTION
☐	WALL MOUNTED JUNCTION BOXES P = POWER C=COMMUNICATION / DATA
☐	FLOOR MOUNTED POSE-TIRU P = POWER C=COMMUNICATION / DATA



ISSUES/REVISIONS	
Issued for owner review	22 February 2010
Revised per preliminary code review	18 March 2010
Revised per code review comments	4 April 2010

ELECTRICAL LEGEND, DETAILS AND ONE-LINE	
PROJECT DIRECTOR	SRH
PROJECT NO.	10004
DATE	February 19, 2010
SHEET NO.	E.02